

# External Mount 4G/5G MiMo Antenna

WMMG-7-38



- Supports MiMo & Diversity across 4G/5G
- Two wideband elements with gain
- Durable wall mount housing
- Suitable for mast, wall and desk mounting

The WMMG antenna provides an innovative and future proof solution for 3G/4G and 3.8GHz 5G networks. Incorporating two separately fed ultra wideband elements in a single housing the WMMG is equipped to provide client side MiMo and diversity support for the networks of today and tomorrow. With 2dBi gain at 698-960MHz, 5dBi gain at 1710-2170MHz and 4dBi gain at 2200-3800MHz the WMMG provides extra gain performance where it is needed most.

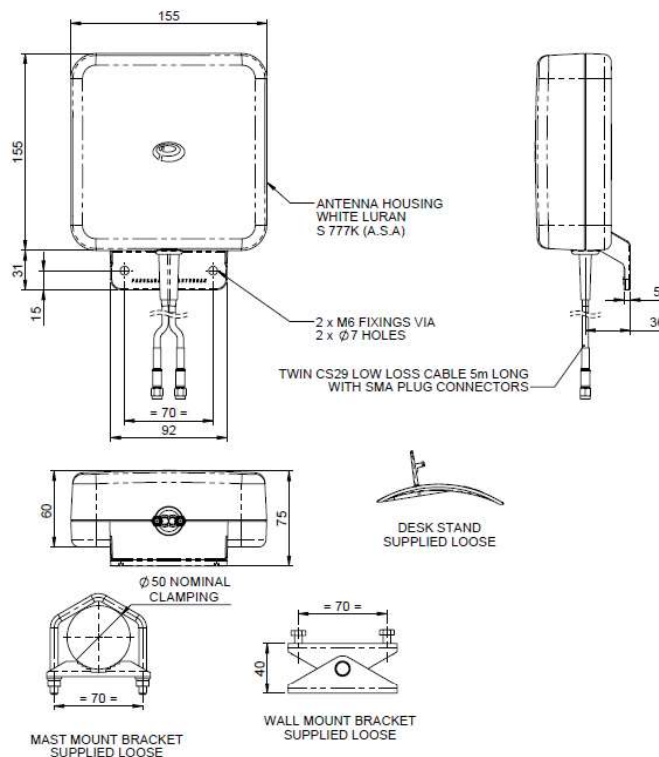
The rugged, weatherproof housing is designed for wall mounting. Wall and mast mount brackets are provided.

5 metres (16') of fitted low loss double shielded twin cable minimises exposed connector joints and simplifies cable management for easy installation.

The WMMG is a cost effective value added product for network operators and service providers ensuring a stable link with improved data rates for subscribers thereby improving satisfaction and retention.

## Technical Drawing

WMMG-7-38-5SP Shown



# External Mount 4G/5G MiMo Antenna

WMMG-7-38

## Product Data

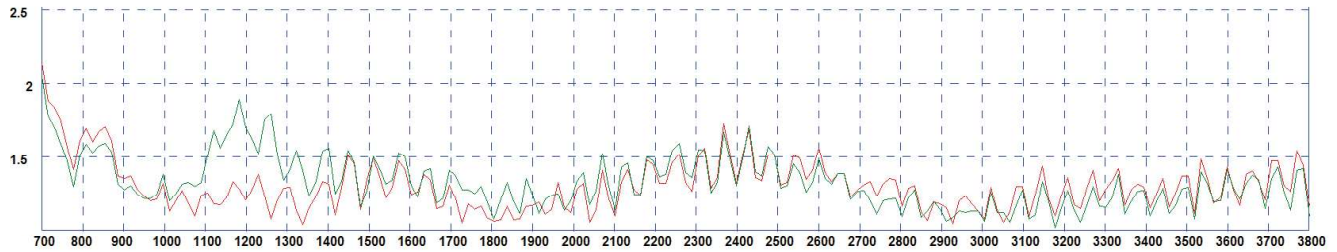
Part No.	WMMG-7-38-5SP		WMMG-7-38-03NJ
Frequency Range	Element 1	698-960 / 1710-3800 MHz	
	Element 2	698-960 / 1710-3800 MHz	
Operational bands	3G/4G/5G		
VSWR (excluding cable)	< 2:1		<2.5:1
Peak Gain (excluding cable loss)	698-960 MHz	2dBi	
	1710-2170 MHz	5dBi	
	2200-3800MHz	4dBi	
Correlation Co-efficient ( all bands)	< 0.2		
Typical Element Isolation	> 20dB		
Max Input Power	20 W		
Impedance	50Ω		
<b>Mechanical Data</b>			
Dimensions	Height	155mm (6.1")	
	Width	155mm (6.1")	
Operating Temp.	-30° / +80°C (-22° / 176°F)		
Material	ASA		
Colour	White		
Weight	1100g	353g	
Ingress Protection	IP65		
<b>Mounting Data</b>			
Fixing	Wall mount / Mast mount / Desk mount		
Mounting Bracket Material	Stainless steel / Aluminium		
Pole Diameter	20-50mm / (0.78 - 1.96")		
<b>Cable Data</b>			
Type	2 x CS29 Coax		
Diameter	5mm (0.2")		
Length	5m (16')	0.3m (1')	
Termination	2 x SMA (m)	2x N(f)	

# External Mount 4G/5G MiMo Antenna

WMMG-7-38

## Electrical Data

Typical VSWR Elements 1 & 2 \*



\*VSWR Measured with 5m (16') of CS29 cable

Typical VSWR Elements 1 & 2 \*



\*VSWR measured without cable

Typical Isolation Elements 1 & 2 \*



\* Isolation measured with 5m (16') of CS29 cable

# External Mount 4G/5G MiMo Antenna

WMMG-7-38

## Radiation Plots

