



•Patch lead with TS9 Connector

Connecting an external antenna to a cellular modem or data card can make a great difference to data transfer speeds. Panorama Adaptor leads are designed to fit most 3G Data Cards, Express Cards and USB modems that have antenna ports, transferring the signal to a more efficient antenna.

Panorama provides compatible adaptor leads for all major cellular modem and data card manufacturers and models.

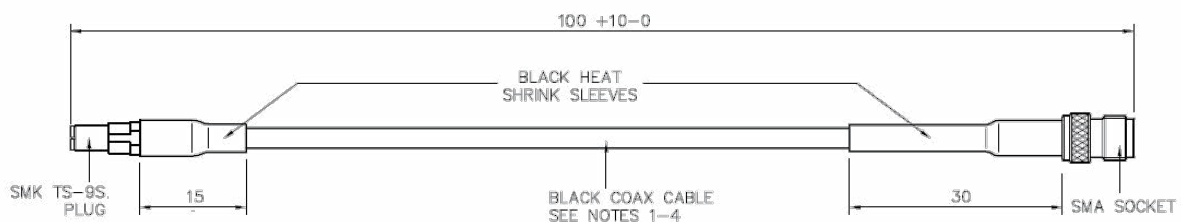
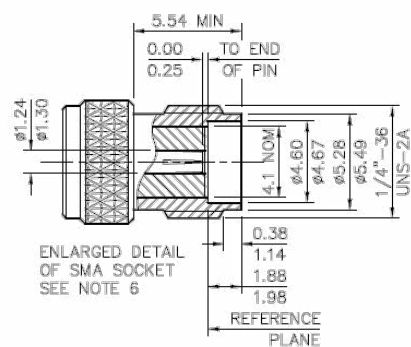
Technical Drawing

CABLE SPECIFICATION NOTES: -

1. DIMENSIONS AND CONSTRUCTION TYPICAL OF JIS 1.5D-2V OR RG174A
2. DIELECTRIC MATERIAL CROSS LINK POLYTHENE
3. IMPEDANCE - 50Ω
4. ATTENUATION - 1.25dB/m @1.575GHz.

GENERAL NOTES :-

5. MINIMUM CONNECTOR PULL OFF FORCE - 50N
6. BOTH CONNECTORS MUST CONFORM TO STANDARD INTERFACE (FOR SMA SOCKET SEE ENLARGED DETAIL).
7. ALL MATERIALS USED MUST BE RoHS COMPLIANT



Part No.	
	C74-SJ-010-TS9
Cable Data	
Type	C74
Impedance	50Ω
Attenuation	1.25dB/m @ 1.575GHz
Outer Diameter (mm)	2.5 (0.1")
Outer Jacket	Black Flexible PVC
Length (mm)	100 (3.9")
Connector Data	
Termination 1	SMK TS9 Plug
Termination 2	SMA Socket



Panorama Antennas Ltd
 Frogmore, London, SW18 1HF, United Kingdom

T: +44 (0)20 8877 4444
 F: +44 (0)20 8877 4477
 E: sales@panorama-antennas.com
www.panorama-antennas.com

Waiver: The data given above is indicative of the performance of the product/s under particular conditions and does not imply a guarantee of performance. These specifications are subject to change without notice.

Copyright © Panorama Antennas Ltd. All rights reserved.